

SINGER
246K12

April, 1960

FORM K6248

(List of Parts for 246K12 Machine)

ALTERATIONS

Page 10.

164603 Alter to 164608 and delete plate
 164604 " " 164609, delete plate and alter 164603 to 164608

Page 12.

164157 Alter to 164584 and delete plate

Page 13.

164160 Obsolete, use 164585

Numerical

2102 (1st item) Add and 164585
 59537 (2nd item) " " 164585
 164156 (2nd item) " " 164585
 164157 Obsolete, use 164584
 164158 (2nd item) Add and 164585
 164160 Obsolete, use 164585
 164603 " " 164608
 164604 " " 164609
 164605 Add and 164609
 164606 " " 164609

From the library of: Diamond Needle Corp

ILLUSTRATED
 LIST OF PARTS

FOR

No. 246K12 Machine



ADDITIONS

Page 13

164585 — Tension (light) complete, Nos. 59537, 164156, 164158, 164584
 and two 2102

NUMERICAL SECTION

164584 — Tension (light) Spring for 164585
 164585 — Tension (light) complete, Nos. 59537, 164156,
 164158, 164584 and two 2102
 164608 — Machine Frame Oil Splash Guard (internal)
 for 164609
 164609 — Machine Frame Oil Splash Guard (internal)
 complete, Nos. 164605, 164606 and 164608

INSTRUCTIONS FOR ORDERING

In ordering from this List, the prefix and affix letters with the part number MUST BE quoted exactly as they are shown in the first column.

A number always indicates the same part in whatever List it may appear, or for whatever machine.

The affix letters (where shown) indicate the style of finish, as follows:—

- A. Hardened, Polished, Nickel Plated and Buffed.
- B. Polished, Nickel Plated and Buffed.
- C. Hardened only.
- D. Polished only.
- E. Soft, Not Polished.
- F. Hardened and Polished.
- G. Bright Rumbled and Nickel Plated.
- H. Blued.
- J. Nickel Plated only.
- K. Hardened and Nickel Plated.
- L. Brass Plated.
- M. Oxidized.
- R. Phosphate Coating Formed on Surface of Iron or Steel.
- S. Cadmium Plated.
- T. Copper Plated.
- U. Zinc Plated.
- V. Silver Plated.
- W. Polished and Nickel Plated.
- X. Black Oxide for Iron and Steel.
- Y. Black Nickel Plated only.
- Z. Chromium Plated.
- A.A. Buffed and Chromium Plated.
- A.B. Hardened, Polished, Buffed and Chromium Plated.
- A.E. Hardened, Bright Rumbled and Nickel Plated.
- A.F. Hardened, Bright Rumbled, Nickel Plated, Bright Rumbled and Chromium Plated.
- A.G. Alumilite (Plain).
- A.H. Alumilite (Dyed). Colour must be stated.
- A.J. Polished, Nickel Plated and Chromium Plated.
- A.K. Hardened, Polished, Nickel Plated and Chromium Plated.
- A.L. Heat Treated for Toughness.
- A.L.D. Heat Treated for Toughness and Polished.
- A.L.X. Heat Treated for Toughness and Black Oxide.
- A.S. Black Moulded Phenolic.
- A.T. Beige Moulded Phenolic.
- A.U. Brown Moulded Phenolic.
- A.W. Hardened then Flame Coated with Tungsten Carbide.
- B.A. Chrome Nickel, Satin Finish.
- B.B. Hardened and Chrome Nickel, Satin Finish.
- C.R. Hardened and Phosphate Coating Formed on Surface of Steel.
- C.U. Hardened and Zinc Plated.
- F.J. Hardened, Polished and Nickel Plated.
- T.A. Hardened, Polished, Copper and Nickel Plated and Buffed.
- T.B. Copper and Nickel Plated and Polished.
- T.J. Copper and Nickel Plated only.
- T.K. Hardened, Copper and Nickel Plated.
- T.L. Copper and Brass Plated.
- T.M. Copper Plated and Oxidized.
- X.C. Hardened and Black Oxide for Iron and Steel.
- Z.A. Hardened, Polished, Nickel Plated, Buffed and Chromium Plated.
- Z.B. Polished, Nickel Plated, Buffed and Chromium Plated.
- Z.C. Hardened and Chromium Plated.
- Z.D. Polished and Chromium Plated.
- Z.G. Bright Rumbled, Nickel Plated, Bright Rumbled and Chromium Plated.
- Z.J. Nickel and Chromium Plated.
- Z.T. Copper and Chromium Plated.

Parts marked with an asterisk (*) are furnished only when the repairs are made at Factory.

PARTS COMPLETE

FOR

No. 246K12 MACHINE

For Trimming and Overedging Light and Medium Weight Fabrics. One Needle. One Looper and One Spreader. Drop Feed. Three-thread Stitch. Foot Lifter. Automatic Lubrication and Oil Cooling System.

No.	Plate	Name				
164001	24815	Chip Guard
1209j	24815	" " Screw (lower)
140509j	24815	" " " (upper)
164593	24815	Cloth Plate
164002	24815	" " Extension
1324j	24815	" " " Screw
51642j	24815	" " " " Nut
701679	24815	" " " " " Lock Washer
164205	24815	" " Lock Spring
51642j	24815	" " " " Nut
701679	24815	" " " " " Lock Washer
1250al	24815	" " " " Screw Stud
164104	24815	" " Plunger
164105	24815	" " " Spring
624al	24815	" " " Set Screw
164106	24815	" " Position Collar with two 624al
624al	24815	" " " " Set Screw
164594	24815	" " with Extension, complete, Nos. 164002, 164205, 164593, two each 1324j, 51642j and 701679
164006	24817	Feed Bar with 164010
164017	24817	" " Connection
164008	24817	" " " Bearing
164009	24817	" " " Hinge Screw Stud
1671c	24817	" " " " " Nut
164010	24817	" " " " " Position Pin
164277	24817	" " Guide (roller)
164003	24817	" " Hinge Pin (eccentric)
1389c	24817	" " " " Set Screw
164004	24817	" " Slide Block (back)
1628c	24817	" " " " (") Nut

From the library of Diamond Needle Corp

No.	Plate	Name
17022	24817	Feed Bar Slide Block (back) Nut Washer
164005	24817	" " " " (front)
164278	24817	" " Spacing Collar
164276	—	" " complete, Nos. 1671c, 164004 to 164006, 164008, 164009 and 164017
164318	2758	" Dog, 21 teeth (16 teeth to the inch)
1454f	2758	" " Screw
164020	24817	" Eccentric
NOTE:—Feed Eccentric No. 164020 is furnished in 1 to 16, 18, 20, 22, 24, 28, 32 and 36 stitches to the inch, unless otherwise stated No. 164020 (5 stitches to the inch) is supplied regularly.		
164520	24817	Feed Eccentric Cover
164400	24817	" " " Bracket with 164345
157c	24817	" " " " Screw
629k	24817	" " " Hinge Screw... .. .
164401	24817	" " " Latch Spring
227j	24817	" " " " " Screw
164529	24817	" " " complete, for use with Eccentrics of 4 stitches and above, Nos. 629k, 164400, 164401, 164520 and two 227j
164345	24817	Feed Eccentric Oil Wick
164025	24812	" Lifting and Knife (movable) Lever Eccentric
164455	2756	Finger Guard
164456	2756	" " Adapter
1259al	24829	" " " Screw
1423j	2756	" " Screw
164026	2756	Knife (movable) (2)
164027	2756	" (") Clamp
140050c	2756	" (") " Screw
164028	2756	" (") Guard (lower)
164458	2756	" (") " (upper)
164029	2756	" (") Holder
198j	2756	" (") " Screw
164030	2756	" (") " " Bearing
164714	2756	" (") Lever with 620al
164715	—	" (") " 164714 with 132583, 164035, 164136 and 164153
164032	2756	" (") " Bearing
447al	2756	" (") " " Set Screw (long)
624al	2756	" (") " " " " (short)
164373	24829	" (") " Cover and Presser Bar (upright) Housing with 1259al
50073j	24829	" (") " " " Presser Bar (upright) Housing Screw (2)

No.	Plate	Name
164374	—	Knife (movable) Lever Cover and Presser Bar (upright) Housing, complete, Nos. 50060K, 164137 to 164139, 164142 to 164144, 164194 and 164373
164180	2756	Knife (movable) Lever Guide
164181	2756	" (") " " Holder with two 140239al
164210	2756	" (") " " " 164181 with 197j, 164177, 164180 and 164182
140239al	2756	" (") " " " Set Screw
164182	2756	" (") " " " Thread Tube
447al	2756	" (") " " " " Set Screw
197j	2756	" (") " " " Screw
132583	2756	" (") " " Hinge Pin with 132584
132584	2756	" (") " " " Oil Wick
620al	2756	" (") " " " Set Screw
164034	2756	" (") " " " Stud
164035	—	" (") " " " 164034 with 164036 and 164269
164036	2756	" (") " " " Oil Wick (long)
164269	—	" (") " " " " (short)
447al	2756	" (") " " " Set Screw (back)
1143al	2756	" (") " " " " (top)
164233	2756	" (stationary) (2)
164522	2756	" (") Clamping Stud
164523	2756	" (") " " Nut
164524	2756	" (") Holder
164590	2756	" (") " Adjusting Stud
190e	2756	" (") " " " Cap Screw
39541	2756	" (") " " " Washer
164042	2756	" (") " Sleeve
140088r	2756	" (") " " Screw
164043	2756	" (") " Spring
164525	2756	" (") " " Stud
164462	2756	Lint Stripper with 735al
735al	2756	" " Set Screw
164045	2757	Looper (left hand)
164046	2757	" (") Carrier with 460al, 50379f and 164202
164660	2757	" (") " Holder with 1083c, 140393al and 140596al
164661	—	" (") " " 164660 with 1324c, 59456 and 164046
1083c	2757	" (") " " Clamping Screw
140596al	2757	" (") " " Set Screw (left)
140393al	2757	" (") " " " (right)
1324c	2757	" (") " " Screw
460al	2757	" (") " " Set Screw
59456	2756	" (") " " Washer

From the library of: Diamond Needle Corp

No.	Plate	Name
164048	2757	Looper (left hand) Driving Shaft
164049	2757	" (" ") " " Bushing (back)
140394e	2757	" (" ") " " " (") Cap Screw
164293	2757	" (" ") " " " (") " " Washer (fibre)
164050	2757	" (" ") " " " (front)
164051	2757	" (" ") " " Crank with 1083c
164215	—	" (" ") " " " 164051 with 164052
1083c	2757	" (" ") " " Clamping Screw
164052	24812	" (" ") " " Connection with two each 171al and 140159al
171al	24812	" (" ") " " Crank Connection Cap (lower) Screw
140159al	24812	" (" ") " " Cap (upper) Screw
164067	2757	" (" ") " " Crank Key
1324c	2757	" (" ") " " " " Screw
45057	2757	" (" ") " " " " Washer
164053	2757	" (" ") " " Thrust Bearing
50379f	2757	" (" ") Set Screw
164202	2757	" (" ") Stop Pin
164054	2758	" (" ") Thread Tube
853al	2758	" (" ") " " Set Screw
164055	2757	" (right hand)
164056	2757	" (" ") Carrier with 50370e
164742	2757	" (" ") " Connection
164597	2757	" (" ") " " Guide Bar Bracket with two 462al
914c	2757	" (" ") " " " Bracket Screw (left)
1057al	2757	" (" ") " " " Bracket Screw (right)
164596	2757	" (" ") " " Oil Pad
168215	—	" (" ") " " Wick
51015e	2757	" (" ") " " Plug Screw
462al	2757	" (" ") " " Set Screw
164061	2757	" (" ") " " Hinge Stud with 1019al
1443j	2757	" (" ") " " Cap Screw
164397	2757	" (" ") " " Adjusting Pin
1019al	2757	" (" ") " " Pin Set Screw
132565	2757	" (" ") " Hinge Pin
50370e	2757	" (" ") " " Set Screw
164062	2757	" (" ") Driving Lever with 1083c and two 140596al
164598	—	" (" ") " " 164062 with 1443j, 1700j, 132565, 164056, 164061, 164068, 164397, 164597 and 164742

No.	Plate	Name
1083c	2757	Looper (right hand) Driving Lever Clamping Screw
140596al	2757	" (" ") " " Set Screw
164063	2757	" (" ") " Shaft
164049	2757	" (" ") " " Bushing (back)
140394e	2757	" (" ") " " " (") Cap Screw
164293	2757	" (" ") " " " (") " " Washer (fibre)
164599	2757	" (" ") " " " (front)
164066	2757	" (" ") " " Crank with 1083c
164216	—	" (" ") " " " 164066 with 164052
1083c	2757	" (" ") " " Clamping Screw
164052	24812	" (" ") " " Connection with two each 171al and 140159al
171al	24812	" (" ") " " Crank Connection Cap (lower) Screw
140159al	24812	" (" ") " " Crank Connection Cap (upper) Screw
164067	2757	" (" ") " " Crank Key
1324c	2757	" (" ") " " " " Screw
45057	2757	" (" ") " " " " Washer
164053	2757	" (" ") " " Thrust Bearing
50379f	2757	" (" ") Set Screw
164202	2757	" (" ") Stop Pin
164054	2758	" (" ") Thread Tube
853al	2758	" (" ") " " Set Screw
164055	2757	" (right hand)
164056	2757	" (" ") Carrier with 50370e
164742	2757	" (" ") " Connection
164597	2757	" (" ") " " Guide Bar Bracket with two 462al
914c	2757	" (" ") " " " Bracket Screw (left)
1057al	2757	" (" ") " " " Bracket Screw (right)
164596	2757	" (" ") " " Oil Pad
168215	—	" (" ") " " Wick
51015e	2757	" (" ") " " Plug Screw
462al	2757	" (" ") " " Set Screw
164061	2757	" (" ") " " Hinge Stud with 1019al
1443j	2757	" (" ") " " Cap Screw
164397	2757	" (" ") " " Adjusting Pin
1019al	2757	" (" ") " " Pin Set Screw
132565	2757	" (" ") " Hinge Pin
50370e	2757	" (" ") " " Set Screw
164062	2757	" (" ") Driving Lever with 1083c and two 140596al
164598	—	" (" ") " " 164062 with 1443j, 1700j, 132565, 164056, 164061, 164068, 164397, 164597 and 164742
*164072	—	Machine Frame
*164526	—	" " complete, Nos. 140396e, 164072, 164077, 164528 and three 140395c
164074	24813	" " Bottom Cover
164075	24813	" " " " Gasket
914c	24813	" " " " Screw (13)
*164527	—	" " Bracket
*164528	—	" " " 164527 with 164207 and two 187e
164207	2754	" " " Key
187e	2754	" " " " Screw
140396e	2754	" " " Screw (large)
164077	2754	" " " (") Washer (fibre)
164229	2754	" " " (") " (felt)
140395c	2754	" " " (small)
164515	24813	" " Cover (back)
50571j	24813	" " (") Screw (long) (2)
914j	24813	" " (") " (short)
164516	24813	" " (") 164515 with 1637k and 140228c
164081	2754	" " Oil Lead

From the library of: Diamond Leela

No.	Plate	Name
140088r	2754	Machine Frame Oil Lead Screw ...
1698j	2754	" " " " " Nut ...
164082	2754	" " " " Plug Bracket ...
1036al	2754	" " " " " Set Screw ...
164083	2754	" " " " Screen ...
206j	2754	" " " " " Screw (3) ...
164603	2754	" " " " Splash Guard (internal) ...
164605	2754	" " " " " (") Oil Pad ...
164606	2754	" " " " " (") " " Fastener ...
164604	2754	Machine Frame Oil Splash Guard (internal), complete, Nos. 164603, 164605 and 164606 ...
164085	24829	Machine Frame Oil Splash Guard (top) ...
51023w	24829	" " " " " (") Screw (2) ...
164601	2754	" " " " Tube with 164602 ...
447al	2754	" " " " " Set Screw ...
164602	2754	" " " " Wick ...
164089	24812	" " Rotary Shaft ...
164090	—	" " " " 164089 with 164097, 164215 to 164217, two each 164093 and 164232 ...
139026	24812	Machine Frame Rotary Shaft Ball Bearing ...
164092	24812	" " " " " " " Housing ...
51369c	24812	" " " " " " " Screw (3) ...
164093	24812	" " " " " " Sleeve (two pieces) ...
164232	24812	" " " " " " Guide ...
164600	24812	" " " " " Bushing (front) ...
1036al	24812	" " " " " (") Set Screw ...
164095	24812	" " " " " (intermediate) ...
51332c	24812	" " " " " (") Set Screw ...
164096	24812	" " " " Counterbalance with 1036al ...
1036al	24812	" " " " " Set Screw ...
164097	24812	" " " " Key ...
51649c	24812	" " " " Nut ...
131056	24812	" " " " Washer ...
164098	24812	" " " " Oil and Ball Bearing Grease Retainer ...
164099	24812	" " " " Screw Stud ...
164100	24812	" " " " Thrust Bearing ...
164101	24772	" " Top Cover ...
164214	—	" " " " 164101 with 330j, 164103 and two 164418 ...
164102	24772	" " " " Gasket ...
164103	24773	" " " " Oil Lead ...
330j	24772	" " " " " Screw ...
51369j	24772	" " " " " Screw (3) ...
164231	24812	" Pulley (round and "V" belt) with two 448al ...
164071	24812	" " Cap ...
140416x	24812	" " " Screw ...
448al	24812	" " Set Screw ...

No.	Plate	Name
164109	24829	Needle Clamp ...
51720c	24829	" Clamping Nut ...
164110	24829	" Driving Shaft with 164118 ...
164275	—	" " " 164110 with 51720c, 164109 and 164117 ...
164111	24829	" " " Bushing ...
164112	24829	" " " Cap ...
164113	24829	" " " Oil Lead ...
452c	24829	" " " " " Hole Plug Screw ...
164114	24829	" " " Crank with 1083c and two 140596al ...
164115	24829	" " " Ball ...
1083c	24829	" " " Clamping Screw ...
164217	24812	" " " Connection with 164115 ...
157al	24812	" " " " " Cap (lower) Screw (2) ...
171al	24812	" " " " " (upper) Screw (2) ...
140596al	24829	" " " Set Screw ...
164117	24829	" Holder ...
164118	24829	" Stop Pin ...
164119	24812	Oil Agitator ...
164120	2754	" Cooler with two 164125 ...
164121	2754	" " Cover ...
164123	2754	" " " 164121 with 164135 ...
164122	2754	" " " Gasket ...
145j	2754	" " " Screw ...
164124	2754	" " Gasket ...
164125	2754	" " Oil Pipe (outlet) ...
164126	2754	" " " Tube with 138269 and 164128 ...
164127	2754	" " " Coupling ...
51630	2754	" " " Lock Nut ...
138269	2754	" " " Sleeve ...
164128	2754	" " " Wick ...
51139j	2754	" " Screw (long) (2) ...
1324j	2754	" " " (short) ...
164135	2754	" Cup for filling machine ...
164607	2756	" Deflector ...
164131	2754	" Sight Gauge Background Disc ...
164132	2754	" " " " Gasket ...
164133	2754	" " " Window ...
164132	2754	" " " " Gasket ...
164134	2754	" " " Retainer ...
164132	2754	" " " " Gasket ...
1485j	2754	" " " " Screw (2) ...
164136	2756	Presser Bar Bracket ...
164137	24829	" " Lifting Bracket with 462al, 624al and 51846 ...
51846	24829	" " " Roller and Stud ...
624al	24829	" " " " Set Screw (long) ...
462al	24829	" " " " " (short) ...

No.	Plate	Name
164138	24829	Presser Bar Lifting Lever...
164139	24829	" " " " Spring ...
140228c	24813	" " " " Stop Screw ...
1637k	24813	" " " " " Nut ...
164350	2756	" " (swing-out) ...
164141	2756	" " (") Lifting Screw Stud ...
1700j	2756	" " (") " " " Nut ...
164142	24829	" " (") Opening Lever ...
50060k	24829	" " (") " " Hinge Screw ...
140510c	2756	" " (") Pivot Screw ...
164351	2756	" " (") " " Lock Washer ...
51362al	2756	" " (") " " " Screw ...
164143	24829	" " (upright) ...
164144	24829	" " (") Spring ...
164416	—	" " (") " (heavy) ...
<i>NOTE : - No. 164144 is supplied with machine.</i>		
164145	2758	Presser Foot Body ...
164220	2758	" " Chain Cutter Friction Plate ...
164221	2758	" " " " Knife ...
51306e	2758	" " " " " Screw ...
164146	2758	" " Chaining-off Finger ...
164147	2758	" " Clamping Plate ...
50225j	2758	" " " " " Screw ...
164149	2758	" " Guide ...
50169j	2758	" " " " " Screw ...
164150	2758	Presser Foot with Chain Cutter, complete, Nos. 50169j, 50225j, 51306e, 164145 to 164147, 164149, 164220 and 164221 ...
164194	24829	Pressure Regulating Thumb Screw ...
2102	24772	Tension (heavy) Disc ...
164155	24772	" (") Regulating Thumb Nut ...
50133c	24772	" (") Screw Stud ...
164156	—	" (") " " 50133c with 164155 ...
164161	24772	" (") Spring ...
59537	24772	" (") " Bushing ...
164158	24772	" (") " Cover ...
164162	24772	Tension (heavy), complete, Nos. 59537, 164156, 164158, 164161 and two 2102 (2) ...
2102	24772	Tension (light) Disc ...
164155	24772	" (") Regulating Thumb Nut ...
50133c	24772	" (") Screw Stud ...
164156	—	" (") " " 50133c with 164155 ...
164157	24772	" (") Spring ...
59537	24772	" (") " Bushing ...
164158	24772	" (") " Cover ...
164160	24772	Tension (light), complete, Nos. 59537, 164156 to 164158 and two 2102

No.	Plate	Name
164285	24772	Tension (looper thread) Thread Guide (left)...
164286	24772	" (" ") " " (right) ...
164159	24772	" (needle ") " Guide ...
164418	24772	" Thread Eyelet ...
164091	2757	Thread (looper, right hand) Stripper and Take-up with 164555
164163	24761	" (" " ") " " " Eyelet (adjustable)
1443j	24761	" (" " ") " " " Eyelet (adjustable) Screw
164555	—	" (" " ") " " " Guide Wire...
187c	2757	" (" " ") " " " Screw ...
17022	2757	" (" " ") " " " Washer
164164	24761	" (" " ") Thread Eyelet (movable) ...
1423j	24761	" (" " ") " " " Screw ...
164165	24761	" (" " ") " " (stationary) ...
1607j	24761	" (" " ") " " (") Nut ...
164166	24761	" (" " ") Tube ...
624al	24761	" (" " ") " Set Screw ...
164167	24761	" (looper) Plate with 624al ...
164168	24761	" (") " Cover ...
164206	—	" (") " " 164168 with 164169 and 164170 ...
164169	24761	" (") " " Hinge ...
164170	24761	" (") " " " Pin ...
164171	24761	" (") " " " Spring ...
332j	24761	" (") " " " Screw ...
896al	24761	" (") " " Screw (2) ...
164173	24761	" (") " " Thread Bushing ...
50318w	24761	" (") " " " Screw ...
164174	—	Thread (looper) Plate, complete, Nos. 1423j, 1443j, 1607j, 50318w, 164163 to 164167, 164173, 164206, two each 332j and 164171 ...
164175	2757	Thread (looper) Take-up (left) ...
164176	2757	" (") " " Plate ...
190e	2757	" (") " " Screw (lower) ...
1443j	2757	" (") " " " (upper) ...
164151	2756	" (needle) Controller ...
164153	2756	" (") " " Lever ...
1443j	2756	" (") " " Screw (2) ...
164177	2756	" Eyelet (needle thread) ...
140239al	2756	" " (" ") Set Screw ...
164228	2758	Throat Plate ...
164612	2758	" " " Guide with 853al ...
1454c	2758	" " " " Screw ...
1094f	2758	" " " " Screw (2) ...

From the library of: Diamond Needle Co.

**SET OF FITTINGS COMPLETE No. 164319
FOR SEWING POCKETS AND PILLOW CASES
FOR THREE-THREAD STITCH**

NOTE:—Set of Fittings No. 164319 is regular to machine, unless otherwise stated on machine order.

No.	Plate	Name
164318	2759	Feed Dog, 21 teeth (16 teeth to the inch)
164026	2759	Knife (movable)... ..
164055	2759	Looper (right hand)
164350	2759	Presser Bar (swing-out)
164141	2759	" " (") Lifting Screw Stud
1700j	2759	" " (") " " " Nut
164150	2759	" Foot with Chain Cutter complete
164175	2759	Thread (looper) Take-up (left)
164091	2759	" (looper, right hand) Stripper and Take-up with 164555
164151	2759	" (needle) Controller
164228	2759	Throat Plate
164612	2759	" " Guide with 853al

ACCESSORIES

No.	Plate	Name
164203	2760	Feed Eccentric Extractor (Not regularly furnished with machine)
164592	2760	Gauge (Not regularly furnished with machine)
151 × 5	—	Needles, size 11 (6)
120342	2760	Oiler
164198	2760	Presser Bar Lifting Chain Spring (under table)
85318	2760	Screw Driver
164196	2760	Threader (6)
—	—	Tin of Oil, Grade "A" (1 Pint)
164204	2760	Tweezers
164197	2760	Wrench (socket)... ..
8909	2760	Wrench (flat)

BELT GUARD (Adjustable)

164183	24763	Belt Guard
164199	24763	" " Bracket (back)
164200	24763	" " " (front)
51326j	24763	" " Screw
164201	24763	Belt Guard (adjustable), complete, Nos. 164183, 164199, 164200, two each 51326j and wood screws $\frac{3}{8}$ " No. 7 F.H.

CHIP CHUTE

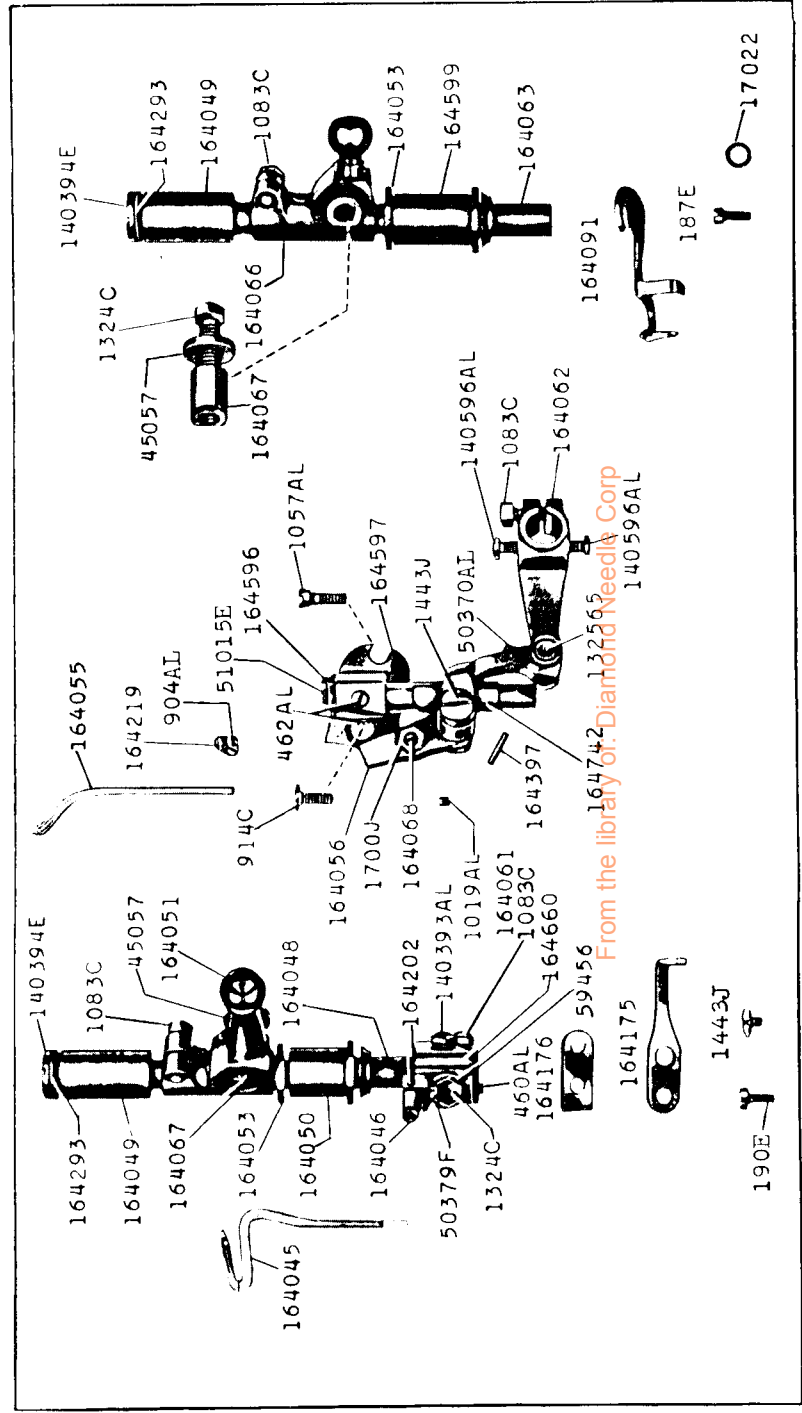
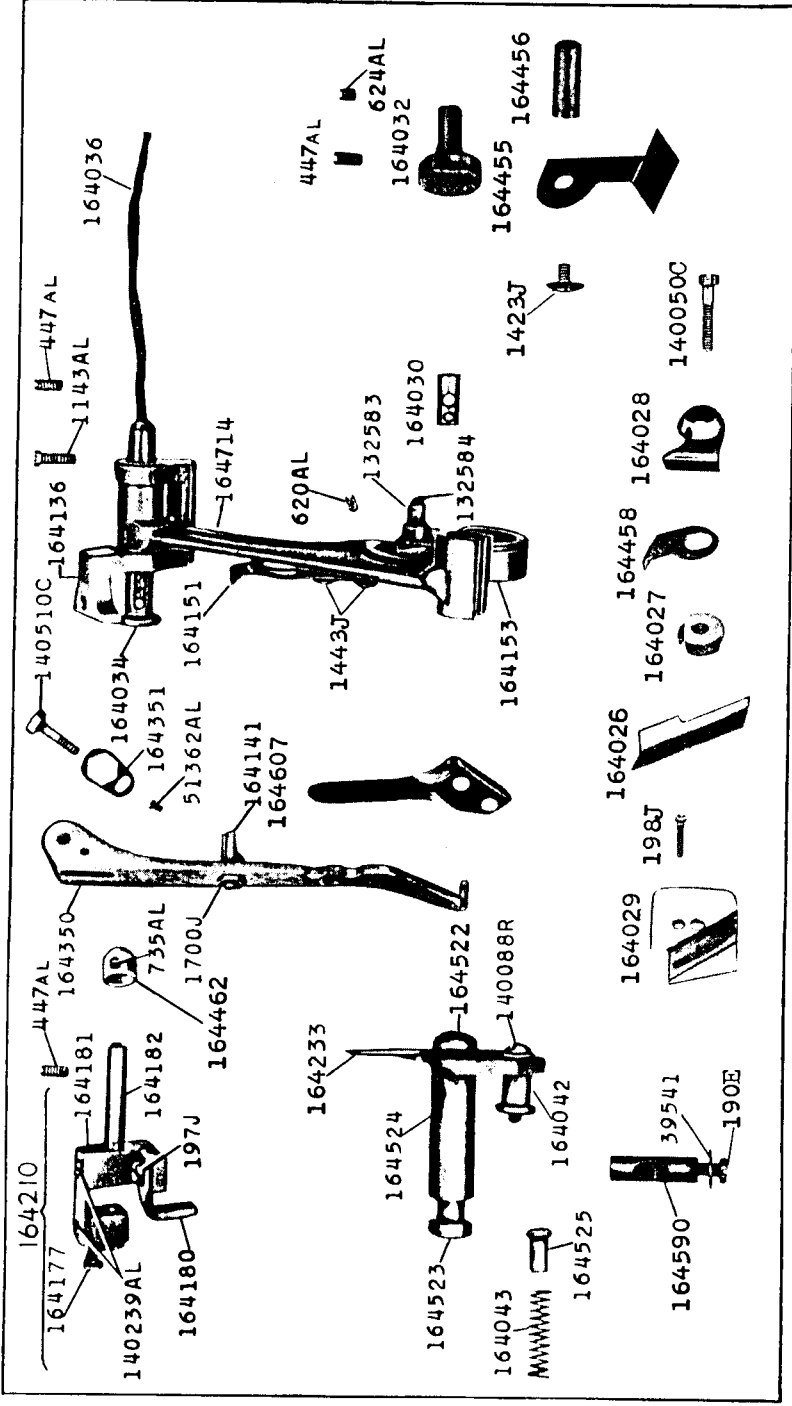
168198	24763	Chip Chute with four wood screws $\frac{3}{8}$ " No. 6 R.H. blued
--------	-------	--

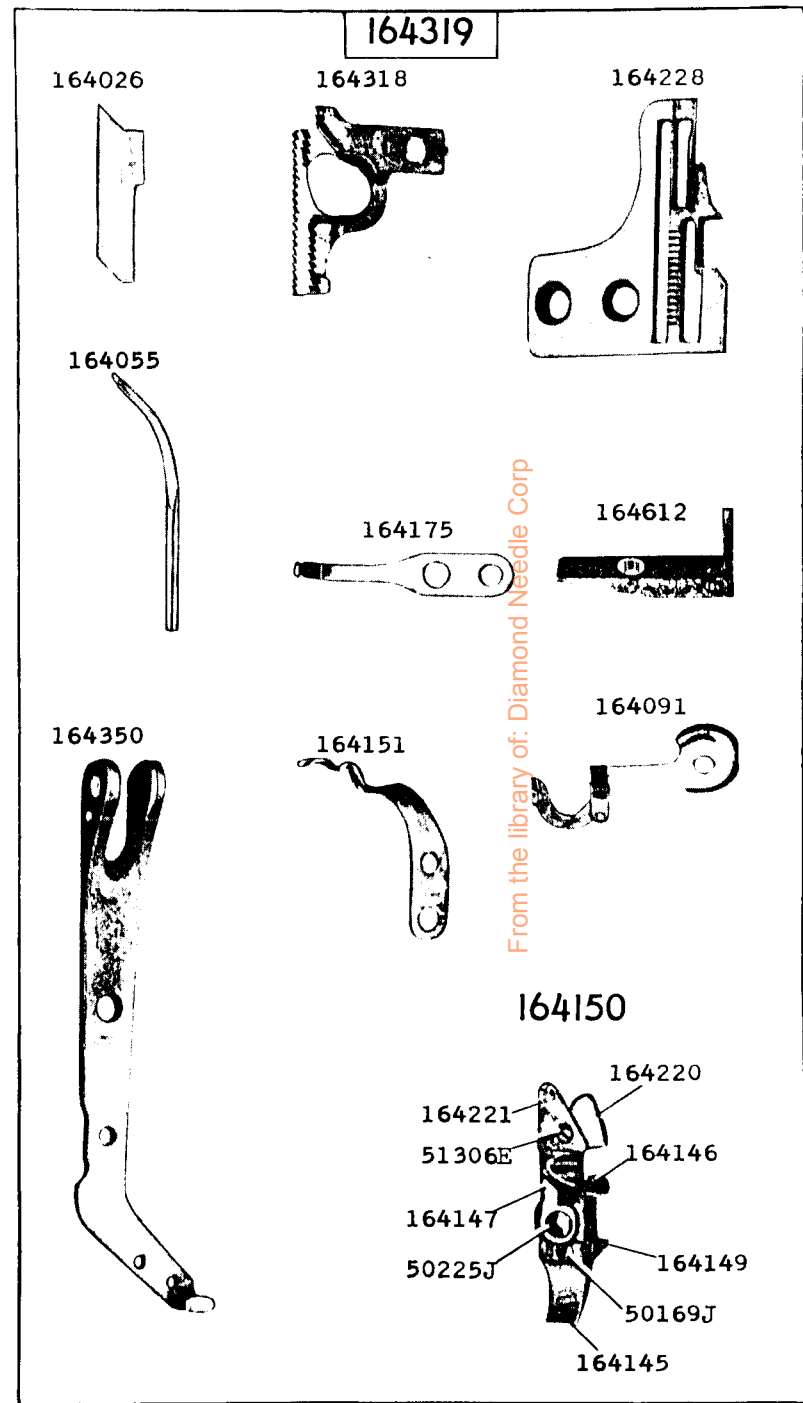
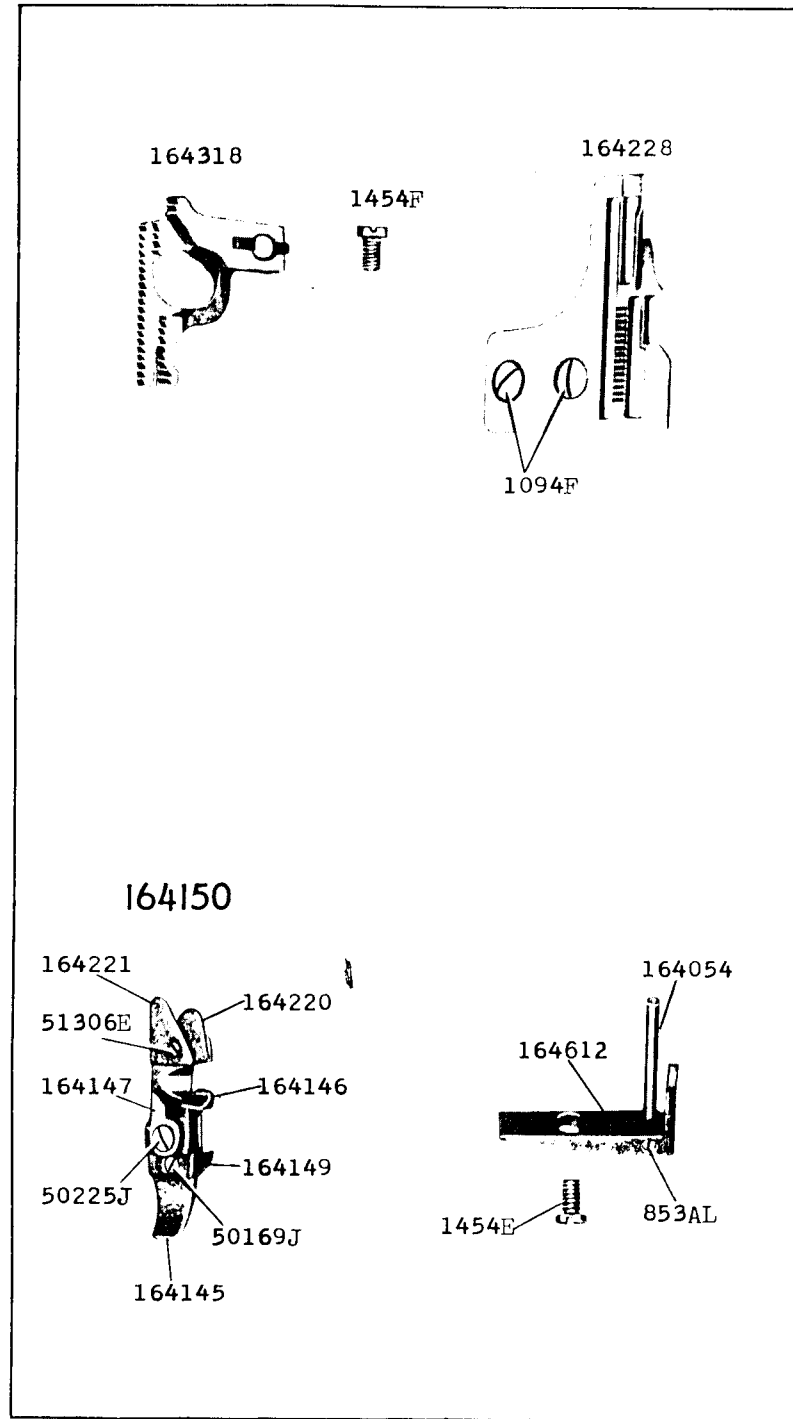
FOOT LIFTER PARTS

6439	24763	Chain, 36" to 45" with 56864 and 56865
<i>NOTE:—When ordering No. 6439, give length required.</i>		
4879	24763	Chain Connecting Link
56864	24763	" Hook (large)
56865	24763	" " (small)
4881	24763	Treadle
4882	24763	" Shaft
4883	—	" Spring
4884	24763	" Stand
4885	24763	Treadle, complete, Nos. 4879, 4881 to 4884 and two wood screws 1" No. 16 F.H.

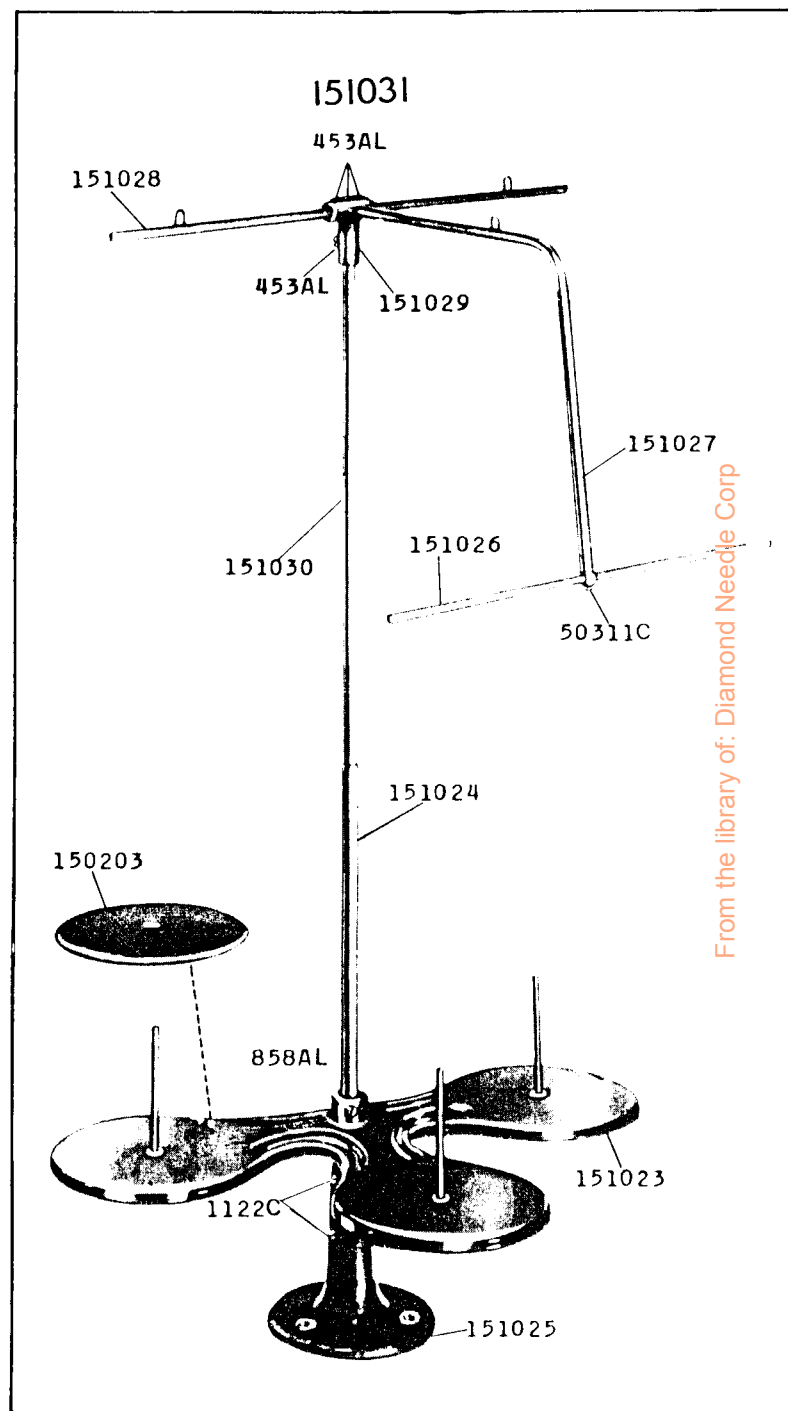
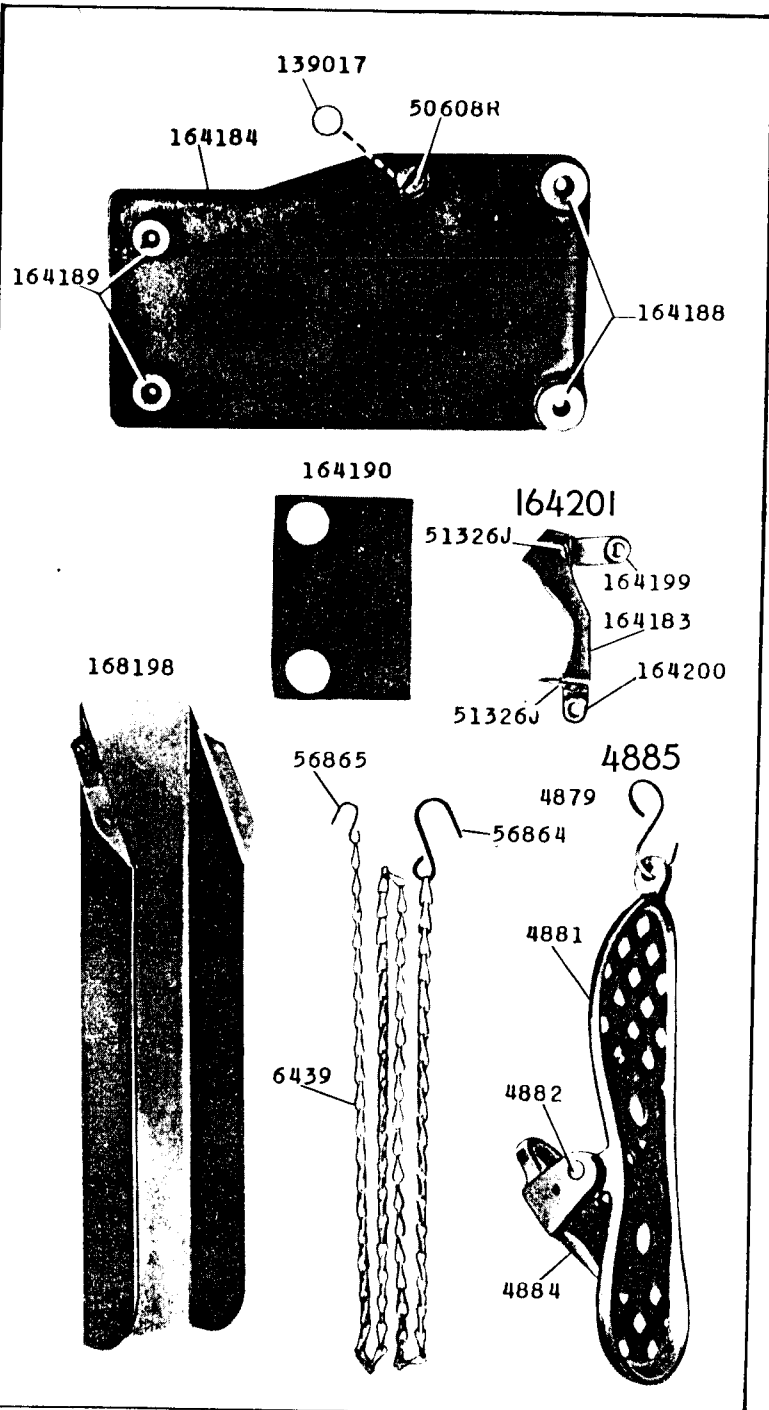
MACHINE BASE

164184	24763	Machine Base with 50608r, 139017, two each wood screws $\frac{3}{8}$ " No. 8 R.H. and 1 $\frac{1}{4}$ " No. 6 F.H.
50608r	24763	Machine Base Plug Screw... ..
139017	24763	" " " " Washer
164188	24763	" Cushion (large) (2)
164189	24763	" " (small) (2)
164190	24763	" Pad (felt)
140418c	24812	" Screw Stud (back)
657c	24755	" " " (front)





From the library of: Diamond Needle Corp



From the library of: Diamond Needle Corp

